

EP-RFBASE Installation Instruction

Description:

This base is suitable for use with the following EmeraldPlanet smoke alarm models:

EP-HW-240-R1

EP-HW-240-Li10

EP-HW-240-Li10v2

Product Specifications:

1. POWER: 220-240V~/50Hz, built-in DC3V(CR123A) Lithium battery (battery not replaceable)
2. BATTERY LIFE: ten years
3. OPERATION CURRENT:<12uA (quiescent), <30 mA (RF emitter)
4. OPERATING TEMPERATURE: -5 to 45°C
5. AMBIENT HUMIDITY: 5% to 95%
6. WIRELES RF Frequency:433.42MHz
7. WIRED INTERCONNECTION: up to 40 detectors
8. WIRELESS RF INTERCONNECTION: up to 40 detectors
9. WIRELESS RF RANGE:>100 meters in free field
10. COMPLIES WITH:AS/NZS 60065, AS/NZS 60950.1, AS/NZS 4268

NOTE: The maximum number of wired interconnections and wireless interconnections is up to 40 detectors.

Important Safety Information:

1. This device is not suitable for use in damp/moist/wet areas.
2. Not suitable for use with non-pure sinusoidal power sources. (e.g. derived from square-wave invertors).
3. Only to be installed by a licenced electrician.
4. Observe and follow all local and national electrical and building codes for installation.

Wireless function description:

Warning: wireless bases use coded RF signals and need to be paired before use.

Pairing Instructions:

Note: Before pairing, the unit must be connected to a smoke alarm and be in normal working mode.

1. On the first unit, press the wireless test button (within the pin hole) 3 times within 2 seconds. The unit is now in "Learning mode" the red LED goes on for 2 minutes to indicate successful operation. (see Diagram 1).

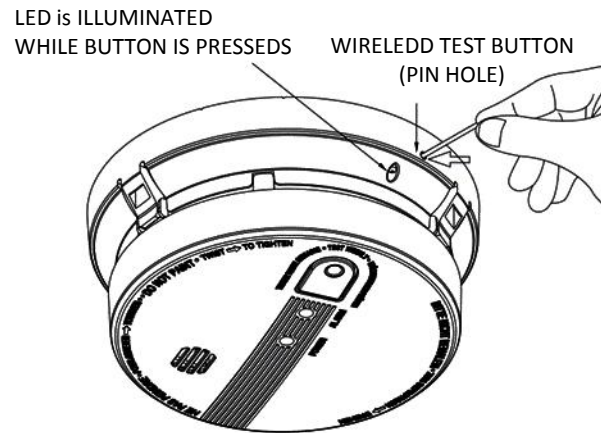


Diagram 1

2. While the first unit base LED is On, press wireless test button 3 times within 2 seconds on other unit wireless base of smoke alarm units. The LED should flash 3 times to indicate successful pairing.
3. Repeat step 2 on all other units.
4. Wait about 2 minutes until the first unit base LED goes out, then press and hold the Test / Hush button for at least 10 seconds on one smoke alarm to test the interconnection. Check that all other wireless interconnected units respond and sound the alarm. If any unit fails to respond, pair that unit again by following steps 1-4.

Base Testing:

1. Pressing the base button for 3 seconds tests the wired interconnection of any connected bases and all wired interconnected alarms start to alarm.
2. Pressing the base button for 4 seconds tests the wireless interconnection of any connected bases and all RF interconnected alarms start to alarm.

Alarm status:

When a single alarm unit detects smoke, it will alarm without a flashing red LED on the base. The red LED on any interconnected alarms will flash twice per second. This way occupants can identify which alarm caused the network to activate and thereby the source of the smoke can be identified.

Low battery reminder:

When the base battery is low, the base red LED flashes once every 10 seconds.

Battery Specification:

Voltage: DC 3V (Lithium battery)

GP Energy: CR123A. (Lithium battery)

Installation:

1. Take out the base, knock out the appropriate hole for wiring as required. Refer to the black areas of Diagram 2.

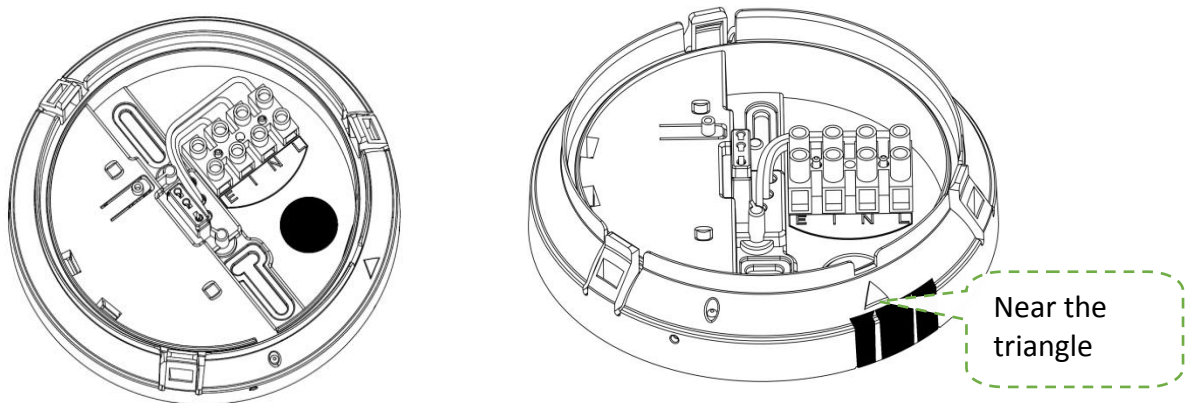


Diagram 2

List of material:

• Base	x 1
• Screw 3.9*25mm	x 2
• Plastic plugs	x 2
• Bubble bags	x 1
• Installation manual	x 1

2. Choose the suitable position where you want to install the product.
3. Hold the base on the installation position, mark installation hole of the base with pencil.
4. Bore two installation holes on the mark with a 5mm drill bit. Insert the two plastic plugs into holes with a hammer.
5. Attach the base to the plastic plugs and fix tightly the screws (3.9*25mm) into the plastic plugs.
6. Strip the Live, Neutral and Interconnect wires back to the recommended strip length (refer to diagram on the right)
7. Connect the external live wire, neutral wire and interconnection wire to the terminal of the base, and ensure the terminal screws are fully tightened.
8. Fit the alarm on the base.

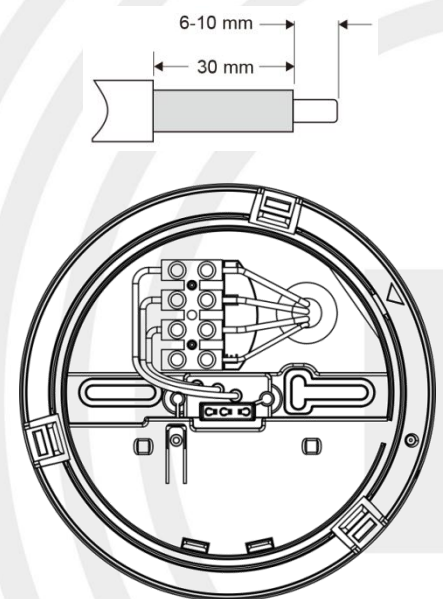


Diagram 3

WARNING: Improper wiring may result in damage to the alarm, failure to operate, or a shock hazard. Do not connect white interconnection wire to L or N.

Wiring mode:

Before connecting the power cord, please pay attention to the label indication next to the terminal, and then connect to the L, N, and I line according to the instructions (see Diagram 3).

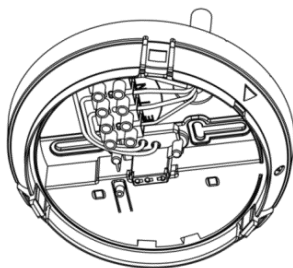
- L --- Live wire of AC line
- N --- Neutral wire of AC line
- I --- I/O interconnection line
- E ---Earth

WARNING:

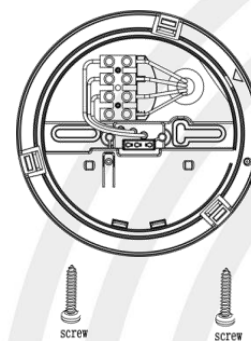
- This product should be installed only by a licensed, qualified electrician.
- Observe and follow all local and national electrical and building codes for installation.
- Isolate from mains power prior to wiring.
- Use a minimum of 0.8mm² 250V insulated wire for all wiring, including signal wire.

Installation:

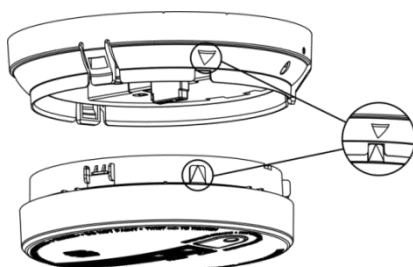
1. Connect the L, N, and I lines to the base



2. Fix the base on ceiling with screws and plastic plugs



3. Align the raised Arrow markings and click the smoke alarm into the base.



4. To remove, use a flat screwdriver to gently lever each of the three tabs open.

